



Available in stock  
for Special Alloy Ball Valves

# SPECIAL ALLOY VALVES

SS904L

MONEL

DUPLX

ALLOY 20

TITANIUM

HASTELLOY

SUPERDUPLX

1000 & 2000psi  
PN63 & PN140 Three Pieces Threaded Ball Valves 1/4" ~ 4"

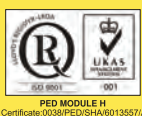
1000 & 2000psi  
PN63 & PN140 Three Pieces Socket Welded Ball Valves 1/4" ~ 4"

1000 & 2000psi  
PN63 & PN140 Three Pieces Butt Welded Ball Valves 1/4" ~ 4"

1000 & 2000psi  
PN63 & PN140 Two Pieces Threaded Ball Valves 1/4" ~ 3"

ANSI Class 150/300  
EN1092 PN16/40 Two Pieces Flanged Ball Valves 1/2"~12"

ANSI Class 150 Three Pieces Flanged Ball Valves 1/2"~4"





# 2000PSI / PN140

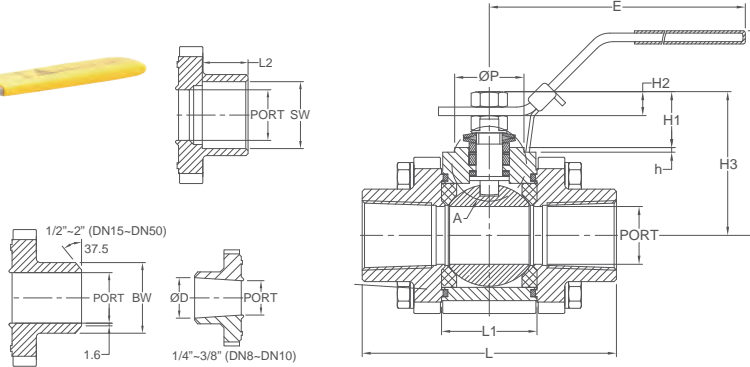
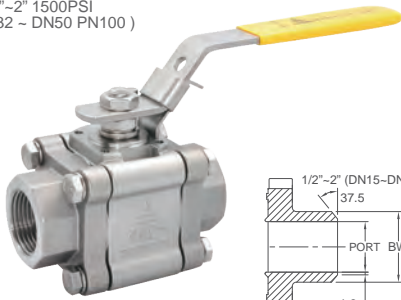
## Three Pieces Full Bore Ball Valve

Threaded / Socket Weld / Butt Weld End

### V255FS / V655 Series

## V255FS 2000PSI / PN140 Three Pieces Full Bore Ball Valve • TH/SW/BW

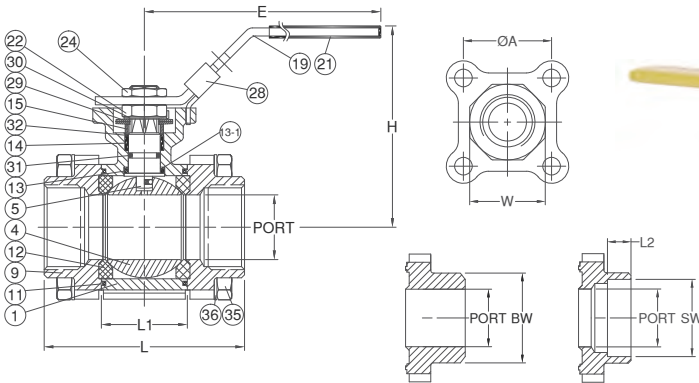
SIZE : 1/4" ~ 2" ( DN8 ~ DN50 )  
 1/4"-1" 2000PSI  
 ( DN8 ~ DN25 PN140 )  
 1-1/4"-2" 1500PSI  
 ( DN32 ~ DN50 PN100 )



### ISO 5211 DIRECT MOUNTING FLANGE

## V655

SIZE : 1/4" ~ 2" ( DN8 ~ DN50 )  
 1/4"-1" 2000PSI  
 ( DN8 ~ DN25 PN140 )  
 1-1/4"-2" 1500PSI  
 ( DN32 ~ DN50 PN100 )



### FEATURES

- Investment Casting Construction
- Full Bore / Blow-Out-Proof Stem Design
- 3-Pieces Body Design with 8 Bolts
- ISO 5211 ( Direct ) Mounting Flange for Pneumatic or Electric Actuator
- ABS Type Approval for Marine, Offshore Platform, and Industrial Applications - Water, Oil, and Air
- NACE MR0175 is available upon request
- 2000PSI for 1/4" ~ 1" / 1500PSI for 1-1/4" ~ 2"  
 PN140 for DN8~DN25 / PN100 for DN32 ~ DN50



### Standard

• Design	ANSI B16.34 Class 600 / API 608
• Threaded End	NPT/ BS 21( BSP ) / BSPT / ISO 228-1 / DIN 2999 / ISO 7-1Rp
• Socket	ASME/ANSI B16.11
• Butt Weld End	ASME/ANSI B16.25
• Material	ASTM / EN1503-1
• Pressure Testing	API 598 / EN12266

### Available Materials

• Alloy 20	ASTM A351 GR.CN7M
• Hastelloy C276	ASTM A494 GR.CW12MW
• Duplex	ASTM A890/995 GR.CD3MN
• Super Duplex	ASTM A890/995 GR.CE3MN
• Monel 400	ASTM A494 GR.M-35-1
• SS904L	Casting / ANSI SS904L

ALLOY 20  
 HASTELLOY  
 MONEL  
 DUPLEX  
 SUPER DUPLEX  
 SS904L

## V255FS / V655

### APPROVED

API 607 6<sup>TH</sup> Edition  
 ISO 10497  
 ABS Type Approval  
 ISO 9001  
 PED 2014/68/EU Mo. H  
 CRN Registration

### DESIGN

ANSI B16.34 Class 600  
 API 608  
 NPT / BS 21(BSP) /  
 BSPT / ISO 228-1 /  
 DIN 2999 / ISO 7-1 Rp  
 SW - ANSI B16.11  
 BW - ANSI B16.25  
 ISO 5211



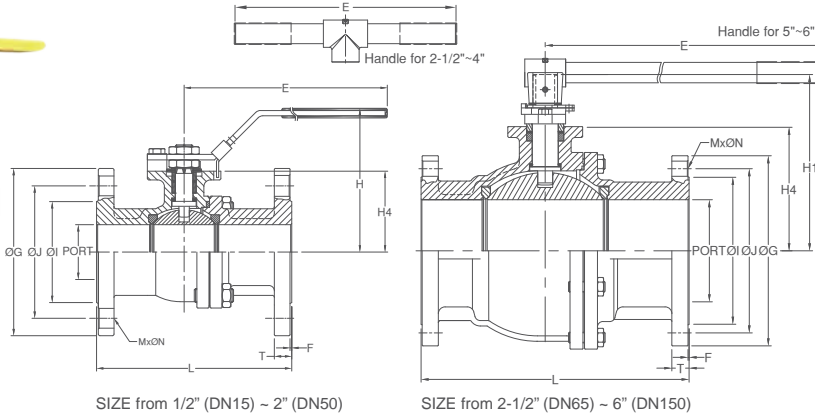




# ANSI Class 150/300 PN16 / PN40 Two Pieces Flanged Ball Valve MD32 Series

## MD-32 1/2"~6" ANSI Class 150/300 / PN16 / PN40 Two Pieces Flanged Ball Valve

ANSI Class 150 / ANSI Class 300  
PN16 / PN40



SIZE from 1/2" (DN15) ~ 2" (DN50)

SIZE from 2-1/2" (DN65) ~ 6" (DN150)

**ALLOY 20**  
**HASTELLOY**  
**MONEL**  
**DUPLEX**  
**SUPER DUPLEX**  
**SS904L**



### FEATURES

- Investment Cast Body Construction
- Full Bore
- 2-Pieces Body Design
- ISO 5211 Mounting Flange for Pneumatic or Electric Actuator
- Blow-Out-Proof Stem Design
- Anti-Static Device
- Available for Pneumatic or Electric Actuator
- NACE MR0175 is available upon request
- Super Alloy materials for highly corrosive medium are available upon request

AUTOMATION  
AVAILABLE



## MD-32

### APPROVED

- API 607 6<sup>TH</sup> Edition
- ISO 10497
- ABS Type Approval
- TA-LUFT
- ISO15848
- ISO 9001
- PED 2014/68/EU Mo. H
- CRN Registration

### DESIGN

- ANSI B16.34
- API 608
- Face to Face :
- ANSI B16.10 / EN 1092-1
- Flange Dimension :
- ANSI B16.5 / DIN 3202
- ISO 5211

#### Standard

• Design	ANSI B16.34 / API 608 EN 12516-1/2
• Face to Face	ASME / ANSI B16.10 DIN 3202
• Flange Dimension	ASME / ANSI B16.5 EN 1092-1
• Material	ASTM / EN 1503-1
• Pressure Testing	API 598 / EN 12266

#### Available Materials

• Alloy 20	ASTM A351 GR.CN7M
• Hastelloy C276	ASTM A494 GR.CW12MW
• Duplex	ASTM A890/995 GR.CD3MN
• Super Duplex	ASTM A890/995 GR.CE3MN
• Monel 400	ASTM A494 GR.M-35-1
• SS904L	Casting / ANSI SS904L



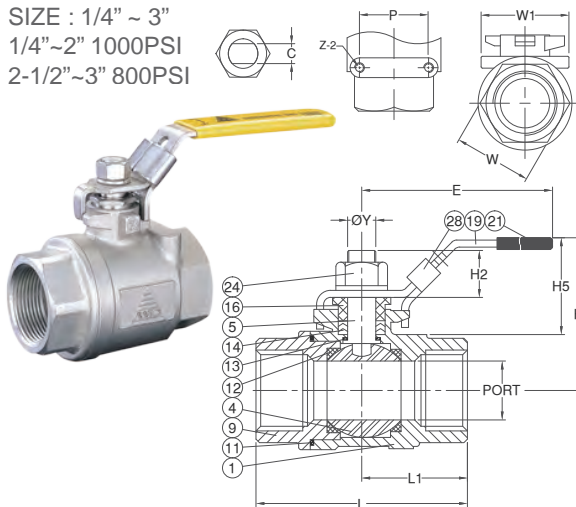


# TITANIUM

Two Pieces Flanged Ball Valve  
 Two Pieces Threaded Ball Valve  
 Three Pieces Threaded Ball Valve  
**ANSI Class 150 / 1000PSI**

## V-206 Casting 1000PSI Two Pieces Full Bore General Ball Valve

SIZE : 1/4" ~ 3"  
 1/4"~2" 1000PSI  
 2-1/2"~3" 800PSI

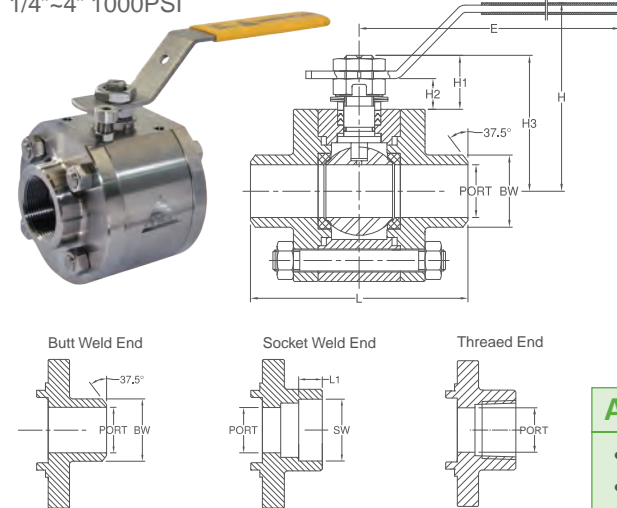


### Available Materials

- Alloy 20      ASTM A351 GR.CN7M
- Hastelloy C276    ASTM A494 GR.CW12MW
- Duplex      ASTM A890/995 GR.CD3MN
- Super Duplex    ASTM A890/995 GR.CE3MN
- Monel 400      ASTM A494 GR.M-35-1
- SS904L      Casting / ANSI SS904L

## V-C05 Full Bar Machined 1000PSI Three Pieces Full Bore Ball Valve

SIZE : 1/4" ~ 4"  
 1/4"~4" 1000PSI



### DESIGN FEATURES

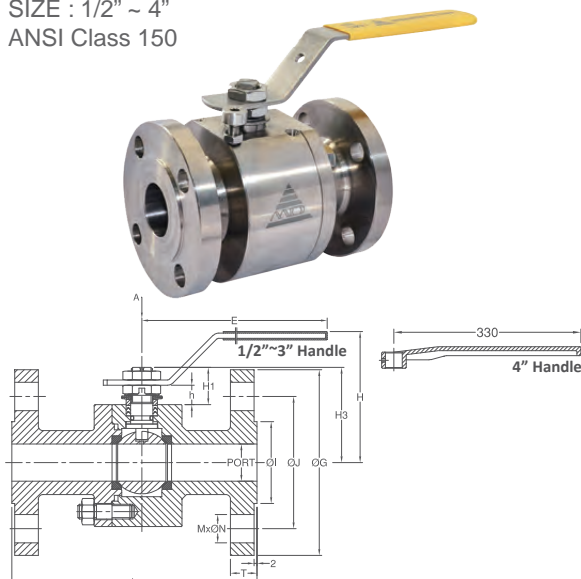
- Machined by Bar Material
- Valve Design as per ANSI B16.34
- 3-Pieces Body Design, Full Bore
- Blow-Out-Proof Stem Design
- End Connection :  
 NPT / BS21(BSP) / BSPT /  
 ISO 228-1 / DIN2999 / ISO 7-1Rp /
- ANSI B16.11 / ANSI B16.25
- NACE MR0175 is available

### Available Materials

- Titanium      ASTM B381 GR.F2 / B348 GR.2
- Titanium      ASTM B381 GR.F5 / B348 GR.5

## MD-C2 Full Bar Machined ANSI Class150 Two Pieces Flanged Ball Valve

SIZE : 1/2" ~ 4"  
 ANSI Class 150



### DESIGN FEATURES

- Machined by Bar Material
- Valve Design as per ANSI B16.34
- 2-Pieces Body Design, Full Bore
- Blow-Out-Proof Stem Design
- Flange Face to Face :  
 ANSI B16.10 Class 150/300 RF
- Flange Dimension :  
 ANSI B16.5 Class 150/300
- NACE MR0175 is available

### Available Materials

- Titanium      ASTM B381 GR.F2 / B348 GR.2
- Titanium      ASTM B381 GR.F5 / B348 GR.5

**TITANIUM**

**B381 GR.F2**

**B348 GR.2**

**TITANIUM**

**B381 GR.F5**

**B348 GR.5**

**V-C05**

**MD-C2**

**APPROVED**

ISO 9001

PED 2014/68/EU Mo. H

CRN Registration

**DESIGN**

Threaded & Welded End

ANSI B16.34

NPT / BS 21(BSP)

/ BSPT / ISO 228-1

/ DIN 2999 / ISO 7-1 Rp

SW - ANSI B16.11

BW - ANSI B16.25

ISO 5211

Flanged End

Flange Face to Face :

ANSI B16.10

Flange Dimension :

ANSI B16.5

ISO 5211





# ANSI Class 150/300/800

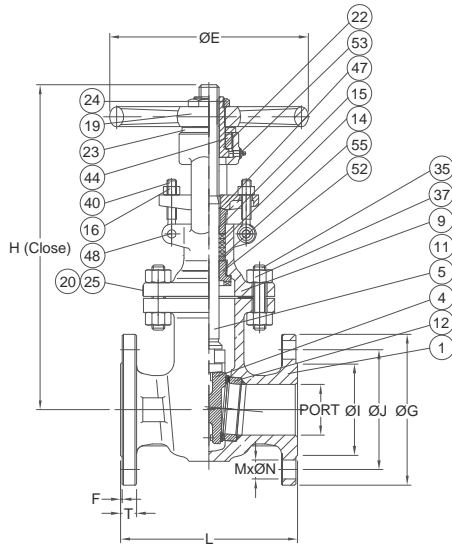
## API 600 / 602 Gate Valve

Flanged, RF / NPT Threaded / Socket Weld End

### GTF / FGT Series

## GTF-150/300 ANSI Class 150/300 API 600 Flanged Gate Valve

ANSI Class 150 / Class 300  
 SIZE : 2" - 36" ( DN50 - DN900 )  
 Flanged End, RF  
 API 600 Design



### Available Materials

- Alloy 20  
ASTM A351 GR.CN7M
- Hastelloy C276  
ASTM A494 GR.CW12MW
- Duplex  
ASTM A890/995 GR.CD3MN
- Super Duplex  
ASTM A890/995 GR.CE3MN
- Monel 400  
ASTM A494 GR.M-35-1
- SS904L  
Casting / ANSI SS904L

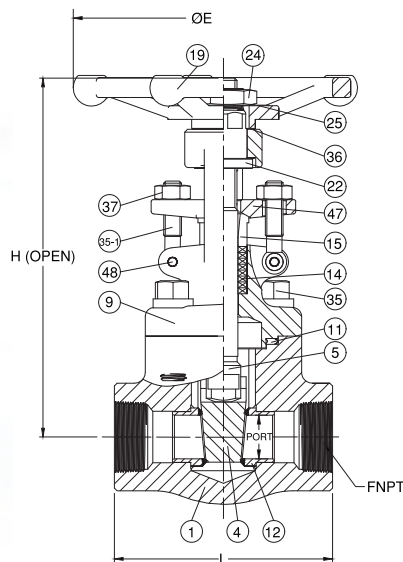
### FEATURES

- Investment Cast Body Construction
- Bolted Bonnet Design
- Outside Screw & Yoke, Flexible Wedge
- Standard in Trim#8 ; Other Trim Materials are available upon request
- Super Alloy materials for highly corrosive medium are available upon request
- Valve Design as per API 600
- Rising Stem, Non Rising Handwheel
- NACE MR0175 is available upon request



## FGT-800 ANSI Class 800 API 602 Forged Gate Valve

ANSI Class 800  
 SIZE : 1/4" - 2" ( DN8 - DN50 )  
 NPT Threaded / Socket Weld End  
 API 602 Design



### Available Materials

- Alloy 20  
ASTM B462 N08020
- Hastelloy C276  
ASTM B564 N10276
- Duplex  
ASTM A182 F51
- Super Duplex  
ASTM A182 F53
- Monel 400  
ASTM B564 N04400
- SS904L  
ASTM A182 F904L

### FEATURES

- Design as per API 602
- API 624 Certified in USA
- Rising Stem
- Bolted Bonnet Design ( Option: Welded Bonnet )
- Non-Rising Handwheel
- O.S. & Yoke / Solid Wedge



API 624 is the Fugitive Emission standard for Multi-Turn Valves which guides the design with Graphite or API 622 Packing to a maximum 100 ppm FE using Methane gas.

**ALLOY 20**  
**HASTELLOY**  
**MONEL**  
**DUPLEX**  
**SUPER DUPLEX**  
**SS904L**

**GTF-150/300**  
**FGT-800**

### APPROVED

ISO 9001  
 EN 10204-3.1 MTR  
 PED 2014/68/EU Mo. H  
 CRN Registration  
 API 624

### DESIGN

ANSI B16.34  
 API 600  
 Material :  
 ASTM  
 Pressure Testing :  
 API 598  
 Face to Face :  
 ANSI B16.10 / EN 1092-1  
 Flange Dimension :  
 ANSI B16.5 / DIN 3202







# ANSI Class 150/300/800

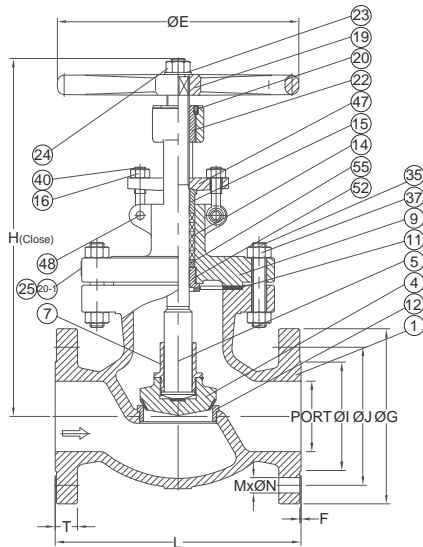
## API 623 / 602 Globe Valve

Flanged, RF / NPT Threaded / Socket Weld End

### GBF / FGB Series

#### GBF-150/300 ANSI Class 150/300 API 623 Flanged Globe Valve

ANSI Class 150 / Class 300  
 SIZE : 2" - 20" ( DN50 - DN500 )  
 Flanged End, RF  
 API 623 Design / BS1873



#### Available Materials

- Alloy 20  
ASTM A351 GR.CN7M
- Hastelloy C276  
ASTM A494 GR.CW12MW
- Duplex  
ASTM A890/995 GR.CD3MN
- Super Duplex  
ASTM A890/995 GR.CE3MN
- Monel 400  
ASTM A494 GR.M-35-1
- SS904L  
Casting / ANSI SS904L

ALLOY 20

HASTELLOY

MONEL

DUPLEX

SUPER DUPLEX

SS904L

GBF-150/300  
FGB-800

#### FEATURES

- Investment Cast Body Construction
- Bolted Bonnet Design
- Valve Design as per API 623 & BS1873
- Rising Stem, Rising Handwheel
- Outside Screw & Yoke, Flexible Disc
- NACE MR0175 is available upon request
- Standard in Trim#8 ; Other Trim Materials are available upon request
- Super Alloy materials for highly corrosive medium are available upon request



#### APPROVED

ISO 9001

EN 10204-3.1 MTR

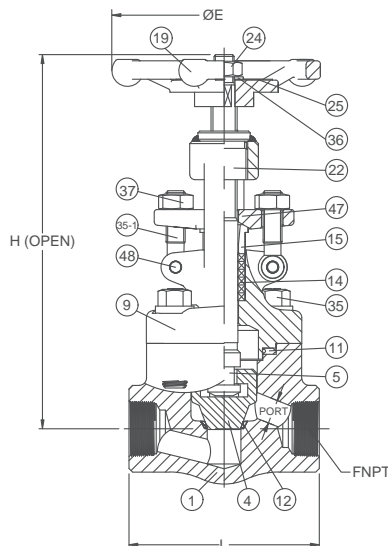
PED 2014/68/EU Mo. H

CRN Registration

API 624

#### FGB-800 ANSI Class 800 API 602 Forged Gate Valve

ANSI Class 800  
 SIZE : 1/4" - 2" ( DN8 - DN50 )  
 NPT Threaded / Socket Weld End  
 API 602 Design



#### Available Materials

- Alloy 20  
ASTM B462 N08020
- Hastelloy C276  
ASTM B564 N10276
- Duplex  
ASTM A182 F51
- Super Duplex  
ASTM A182 F53
- Monel 400  
ASTM B564 N04400
- SS904L  
ASTM A182 F904L

#### DESIGN

ANSI B16.34

API 623

Material :

ASTM

Pressure Testing :

API 598

Face to Face :

ANSI B16.10 / EN 1092-1

Flange Dimension :

ANSI B16.5 / DIN 3202

#### FEATURES

- Design as per API 602
- Bolted Bonnet Design ( Option: Welded Bonnet )
- API 624 Certified in USA
- Rising Handwheel
- Rising Stem
- O.S. & Yoke / Plug Disc



API 624 is the Fugitive Emission standard for Multi-Turn Valves which guides the design with Graphite or API 622 Packing to a maximum 100 ppm FE using Methane gas.





# ANSI Class 150/300

## API 600 / 602 / 603 Flanged Check Valve

Flanged, RF / Swing Type

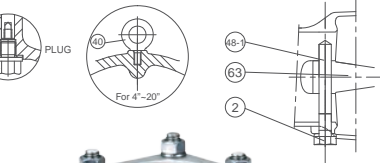
### SF / FSF Series

#### SF-150/300 ANSI Class 150/300 API 600/603 Flanged Check Valve

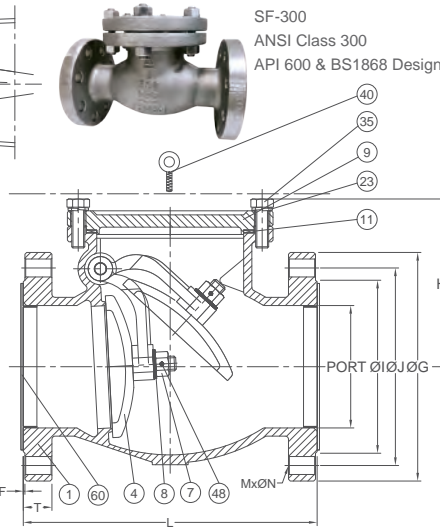
ANSI Class 150 / Class 300  
Flanged End, RF  
CF8M - 275 PSI (CWP)  
WCB - 285 PSI (CWP)



SIZE from 2" (DN50) - 20" (DN500)  
API 600 & BS1868 Design



SIZE from 1/2" (DN15) - 24" (DN600)  
API 603 & BS1868 Design



#### FEATURES

- Investment Cast Body Construction
- Valve Design as per API 600 / 603 & BS1868
- Swing Type & Bolted Bonnet Design
- 2" and larger integral Stellite seat face available for longer service life
- NACE MR0175 is available upon request
- Standard in Trim#8 ; Other Trim Materials are available upon request
- Super Alloy materials for highly corrosive medium are available upon request
- Full enclosed Gasket
- Disc assembly - All parts are accessible from top



#### FSF-150/300 ANSI Class 150/300 API 602 Forged Check Valve

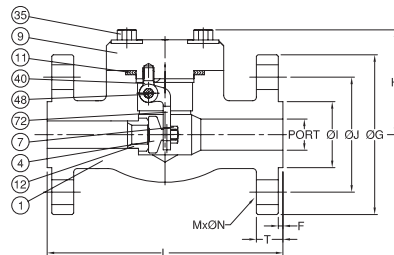
ANSI Class 150 / Class 300  
Flanged End, RF  
SIZE from 1/2" (DN15) - 2" (DN50)  
API 602 & BS1868 Design



The design is the Bolted Bonnet, with male-female joint, spiral wound gasket, made in F304L / graphite.

#### FEATURES

- Investment Cast Body Construction
- Valve Design as per API 602 & BS1868
- Swing Type & Bolted Bonnet Design
- Full enclosed Gasket



**ALLOY 20**  
**HASTELLOY**  
**MONEL**  
**DUPLEX**  
**SUPER DUPLEX**  
**SS904L**

### SF-150/300 FSF-150/300

#### APPROVED

ISO 9001  
EN 10204-3.1 MTR  
PED 2014/68/EU Mo. H  
CRN Registration  
API 600 / 602 / 603

#### DESIGN

ANSI B16.34  
API 600 / 602 / 603  
Material :  
ASTM / EN 1503-1  
Pressure Testing :  
API 598 / EN 12266

Face to Face :  
ANSI B16.10 / EN 1092-1  
Flange Dimension :  
ANSI B16.5 / DIN 3202

#### Standard

• Design	ANSI B16.34 / BS1868 API 600 / 602 / 603
• Face to Face	ASME / ANSI B16.10
• Flange Dimension	ASME / ANSI B16.5
• Material	ASTM / EN 1503-1
• Pressure Testing	API 598 / EN 12266

#### Available Materials

• Alloy 20	ASTM A351 GR.CN7M / ASTM B462 N08020
• Hastelloy C276	ASTM A494 GR.CW12MW / ASTM B564 N10276
• Duplex	ASTM A890/995 GR.CD3MN / ASTM A182 F51
• Super Duplex	ASTM A890/995 GR.CE3MN / ASTM A182 F53
• Monel 400	ASTM A494 GR.M-35-1 / ASTM B564 N04400
• SS904L	Casting / ANSI SS904L / ASTM A182 F904L





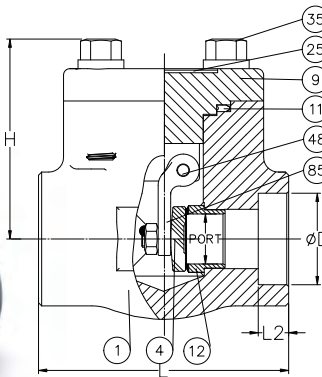


# ANSI Class 800/1500

API 602 / 594 Check Valve  
 Threaded / Socket Weld / Butt Weld End  
 Wafer / Spring Type  
**FSC / WA / MV Series**

## FSC-800/1500 ANSI Class 800/1500 API 602 Piston Check Valve

ANSI Class 800 / Class 1500  
 Threaded / Socket Weld / Butt Weld End  
 SIZE from 1/4"(DN8) ~ 2" (DN50)  
 API 602 & BS1868 Design

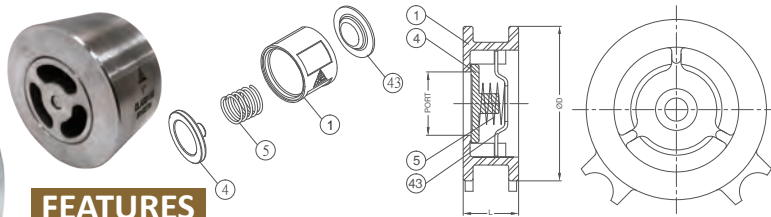


### DESIGN FEATURES

- Design as per API 602
- Piston Type ( Option: Swing Type )
- 1/4" - 2" ( DN8 - DN50 )
- Bolted Bonnet Design  
( Option: Welded Bonnet )
- Forged Construction

## WA-001 Full Bore PN40 for DN8~DN100 Spring Check Valve

Wafer Type  
 SIZE from 1/4"(DN8) ~ 4" (DN100)  
 Design as per API 594



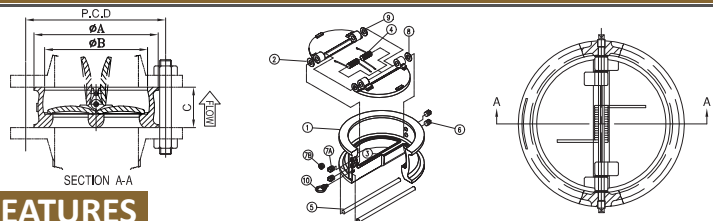
### FEATURES

- Investment Cast Body Construction
- Horizontal or Vertical Installation
- Low Pressure Drop
- Wafer Type End
- For General Chemical and Industrial application



## MV-1220 ANSI Class 150~2500 API 594 Wafer Type Spring Check Valve

Wafer Type Dual Plate  
 SIZE from 1-1/2"(DN40) ~ 60" (DN1500)  
 Design as per API 594



### FEATURES

- Design as per API 594
- Wafer Type Dual Plate Design
- Seat : NBR / EPDM / VITON / METAL
- Flange Dim : ANSI B16.5, ISO 7005, BS10-Table A/D/E/F, JIS B2338, API 605

Standard	
• Design	ANSI B16.34 / BS1868 API 602 / 594 / EN12516
• Face to Face	ASME / ANSI B16.10 DIN 3202 K4 / MFG
• Flange Dimension	ASME / ANSI B16.5
• Material	ASTM / EN1503-1
• Pressure Testing	API 598 / EN12266

Available Materials	
• Alloy 20	ASTM A351 GR.CN7M / ASTM B462 N08020
• Hastelloy C276	ASTM A494 GR.CW12MW / ASTM B564 N10276
• Duplex	ASTM A890/995 GR.CD3MN / ASTM A182 F51
• Super Duplex	ASTM A890/995 GR.CE3MN / ASTM A182 F53
• Monel 400	ASTM A494 GR.M-35-1 / ASTM B564 N04400
• SS904L	Casting / ANSI SS904L / ASTM A182 F904L

**ALLOY 20**  
**HASTELLOY**  
**MONEL**  
**DUPLEX**  
**SUPER DUPLEX**  
**SS904L**

**FSC-800/1500**  
**WA-001**  
**MV-1220**

**APPROVED**

ISO 9001  
 EN 10204-3.1 MTR  
 PED 2014/68/EU Mo. H  
 API 602 / 594

**DESIGN**

ANSI B16.34  
 API 602 / 594  
 Material :  
 ASTM / EN1503-1  
 Pressure Testing :  
 API 598 / EN12266  
 Face to Face :  
 ANSI B16.10 / EN 1092-1  
 Flange Dimension :  
 ANSI B16.5 / DIN 3202







# ANSI Class Up to 6000 PSI

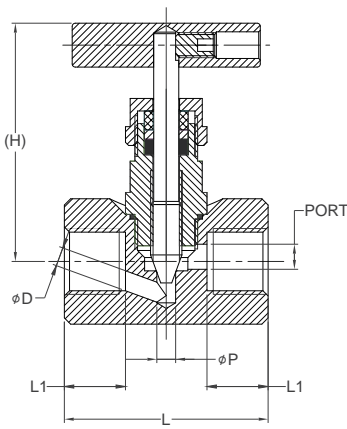
## Flow Control Needle Valve

Threaded / Socket Weld / Butt Weld End  
 Tube Fitting x Tube Fitting, Threaded x Tube Fitting

### NV-0070 Series

## NV-0070 ANSI Class Up to 6000PSI Special Alloy Needle Valve

ANSI Class Up to 6000 PSI (PN420)  
 Threaded / Socket Weld / Butt Weld End  
 SIZE from 1/4"(DN8) - 2" (DN50)

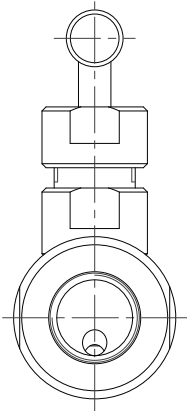


### DESIGN FEATURES

- Valve Design as per ANSI B16.34
- Blow-Out-Proof Stem Design
- End Connection :  
 NPT / BS21(BSP) / BSPT /  
 ISO 228-1 / DIN2999 / ISO 7-1Rp
- NACE MR0175 is available

### END CONNECTION

- Threaded Ends : Female x Female / Male x Female / Male x Male
- Butt Weld
- Socket Weld
- Tube Fitting x Tube Fitting
- Threaded x Tube Fitting



Modentic Special Alloy Needle Valve is made from Forged Bar.  
 The sturdy and customizable construction makes it ideal for severe service and flow control.

### FEATURES

- Provide Bubble-tight Shut Off for Liquid and Gas
- Straight and Angle Pattern
- Primarily to Closely Regulates Fine Flow
- Metal to Metal Design for a Bubble Tight Seal
- Flow Regulating Option Available



### Standard

• Design	ANSI B16.34 / API 598
• Threaded End	NPT / BS 21( BSP ) / BSPT / ISO 228-1 / DIN 2999 / ISO 7-1Rp
• Socket Weld End	ASME / ANSI B16.11
• Butt Weld End	ASME / ANSI B16.25
• Material	ASTM / EN 1503-1
• Pressure Testing	API 598 / EN 12266

### Available Materials

- Hastelloy C22 / Alloy C276
- Duplex 2205 / Super Duplex 2507
- Inconel Alloy 625 / Alloy 825
- Titanium
- Monel400 / SS904L / Alloy 254 SMO
- Alloy 20 / AL-6XN N08367
- SS316
- NORSOK Valves Option Available

- ALLOY 20
- HASTELLOY
- MONEL
- DUPLEX
- SUPER DUPLEX
- SS904L
- TITANIUM
- ALLOY 625
- ALLOY 825
- ALLOY 254 SMO

## NV-0070

### APPROVED

- ISO 9001
- EN 10204-3.1 MTR
- PED 2014/68/EU Mo. H

### DESIGN

- ANSI B16.34
- Material :
- ASTM / EN 1503-1
- Pressure Testing :
- API 598 / EN 12266
- NPT / BS 21(BSP) / BSPT / ISO 228-1 / DIN 2999 / ISO 7-1 Rp
- SW - ANSI B16.11
- BW - ANSI B16.25





# 3000 LBS, 6000 LBS, 9000 LBS Threaded / Screwed Pipe Nipple Barrel Nipple, Pipe Nipple, Hex Nipple, Forged Nipple Nipple Series

## NIPPLE ASME B16.11 Forged Threaded / Screwed Pipe Nipple

Pressure Class : 3000 LBS, 6000 LBS, 9000 LBS  
Threaded / Socket Weld / Butt Weld End  
SIZE from 1/8"(DN6) ~ 4" (DN100)



### DESIGN FEATURES

- Sizes range from 1/8"(DN6) to 4"(DN100)
- End Connection :  
NPT / BS21(BSP) / BSPT /  
ISO 228-1 / DIN2999 / ISO 7-1Rp
- NACE MR0175 is available
- Application : Pneumatic Connections, Structure Pipe,  
Chemical Fertilizer Pipe, Gas Pipe, Hydraulic Pipe

### END CONNECTION

- Threaded Ends : Female x Female / Male x Female / Male x Male
- Butt Weld
- Socket Weld
- Tube Fitting x Tube Fitting
- Threaded x Tube Fitting

Modentic Engineering is equipped with CNC Turning Machine Nipple, we can manufacturer precise parts with good quality and shortest lead time. Our products are high in demand due to their premium quality and affordable prices.



### TYPES OF PIPE NIPPLES



#### Standard

• Design	ANSI B16.11 / API 5L Gr.B
• Threaded End	NPT/ BS 21( BSP ) / BSPT / ISO 228-1 / DIN 2999 / ISO 7-1Rp
• Socket Weld End	ASME/ANSI B16.11
• Butt Weld End	ASME/ANSI B16.25
• Material	ASTM / EN 1503-1
• Pressure Testing	API 598 / EN 12266

#### Available Materials

- Hastelloy C22 / Alloy C276
- Duplex 2205 / Super Duplex 2507
- Inconel Alloy 625 / Alloy 825
- Titanium
- Monel400 / SS904L / Alloy 254 SMO
- Alloy 20 / AL-6XN N08367
- SS316

- ALLOY 20
- HASTELLOY
- MONEL
- DUPLEX
- SUPER DUPLEX
- SS904L
- TITANIUM
- ALLOY 625
- ALLOY 825
- ALLOY 254 SMO

## Nipple

### APPROVED

- ISO 9001
- EN 10204-3.1 MTR
- PED 2014/68/EU Mo. H

### DESIGN

- ANSI B16.11 / API 5L Gr.B
- Material :
- ASTM / EN 1503-1
- Pressure Testing :
- API 598 / EN 12266
- NPT / BS 21(BSP) /  
BSPT / ISO 228-1 /  
DIN 2999 / ISO 7-1 Rp
- SW - ANSI B16.11
- BW - ANSI B16.25







# SPECIAL ALLOY MATERIAL LIST [www.modentic.com.tw](http://www.modentic.com.tw)

Alloy20 / Hastelloy / Duplex / Monel / Titanium / Super Duplex / SS904L

• Other Alloy Materials can be offered upon request •

## Material Chart

Material Code	Elements Content (%)	Casting		
		ASTM	DIN	UNS
<b>Austenitic Stainless Steel</b>				
<b>General</b>				
SS304	19Cr-9Ni	CF8	1.4308	J92600
SS304L	19Cr-9Ni-C<0.03%	CF3	1.4306	J92500
SS347	19Cr-10Ni-Nb	CF8C	1.4552	J92710
<b>Specific</b>				
SS316	19Cr-10Ni-2.5Mo	CF8M	1.4408	J92900
SS316L	19Cr-10Ni-2.5Mo-C<0.03%	CF3M	1.4404	J92800
SS317	19Cr-11Ni-3.5Mo	CG8M	1.4437	J93000
SS317L	19Cr-11Ni-3.5Mo-C<0.03%	CG3M	1.4438	J92999
<b>Super Austenitic Stainless Steel</b>				
904L	21Cr-25Ni-4.5Mo-1.5Cu-N	-	1.4539	-
254 SMO	20Cr-18Ni-6.5Mo-Cu-N	A351 CK3MCuN	1.4547	J93254
<b>Highly Corrosion-Resistant Alloy</b>				
<b>Austenitic Stainless Steel ( Iron base )</b>				
Alloy 20	29Ni-20Cr-3.5Cu-2.5Mo	A351 CN7M	2.4660	J95150
<b>Ni-Mo Alloy</b>				
Hastelloy B	28Mo-5Fe-V	A494 N-12MV	2.4882	N30012
Hastelloy B2	28Mo-1Fe	A494 N-7M	2.4617	N30007
<b>Ni-Cr-Mo Alloy</b>				
Hastelloy C276	16Cr-17Mo-6Fe-4W-V	A494 CW12MW	2.4686	N30002
Hastelloy C22	21Cr-13.5Mo-4Fe-3W	A494 CX2MW	2.4602	N26022
<b>Ni-Cu Alloy</b>				
Monel 400	65Ni-32Cu	A494 M-35-1	2.4365	N24135
<b>Nickel</b>				
Nickel CZ100	97Ni	A494 CZ-100	2.4066	N02100
<b>Titanium</b>				
Grade 2	99Ti	B367 C2		
Grade 5	6Al-4V	B367 C5		
<b>High Temperature Alloy ( Nickel base )</b>				
Inconel 600	15Cr-8Fe	A494 CY-40	2.4816	N06040
Inconel 625	22Cr-9Mo-3.5Nb-2.5Fe	A494 CW6MC	2.4856	N26625
<b>Duplex Stainless Steel</b>				
1A	25Cr-5Ni-2Mo-3Cu	A995 Gr.CD4MCu	1.4517	J93370
1B	25Cr-5Ni-2Mo-3Cu-N	A995 Gr.CD4MCuN		J93372
2A	24Cr-10Ni-3.5Mo-N	A995 Gr.CE8MN		J93345
2205/4A	22Cr-5Ni-3Mo-N	A995 Gr.CD3MN	1.4470	J92205
<b>Super Duplex Stainless Steel</b>				
2507/5A	25Cr-7Ni-4Mo-N	A890/A995 Gr.CE3MN	1.4469	J93404
Z100/6A	25Cr-7Ni-3.5Mo-Cu-N-W	A890/A995 Gr.CD3MWCuN	1.4471	J93380
329	25Cr-4Ni-Mo		1.4460	



For more information, please contact [md\\_sales@ms.modentic.com.tw](mailto:md_sales@ms.modentic.com.tw)

## PRODUCT RANGE

- API 607 FIRE SAFE APPROVED BALL VALVE
- FUGITIVE EMISSION APPROVED BALL VALVE
- SPECIAL ALLOY VALVE
- HIGH PURITY BALL VALVE
- SOFT SEAT BALL VALVE
- AUTOMATION VALVE
- METAL SEATED BALL VALVE
- TRUNNION BALL VALVE
- HIGH PRESSURE BALL VALVE
- BUTTERFLY VALVE

### **KEVIN STEEL CORPORATION**

#### **Main Office & Factory :**

No. 9, Wugong 6th Rd.,  
Wufeng Dist., Taichung City 413, Taiwan (R.O.C.)  
TEL : +886-4-23317777 FAX : +886-4-23317771

E-Mail : [md\\_sales@ms.modentic.com.tw](mailto:md_sales@ms.modentic.com.tw)

<http://www.kevinsteel.com.tw>

<http://www.valvebus.com>

<http://www.modentic.com.tw>

MODENTIC RESERVES THE RIGHT TO CHANGE DETAILS WITHOUT PRIOR NOTICE



[www.kevinsteel.com.tw](http://www.kevinsteel.com.tw)



[www.modentic.com.tw](http://www.modentic.com.tw)



[www.valvebus.com](http://www.valvebus.com)